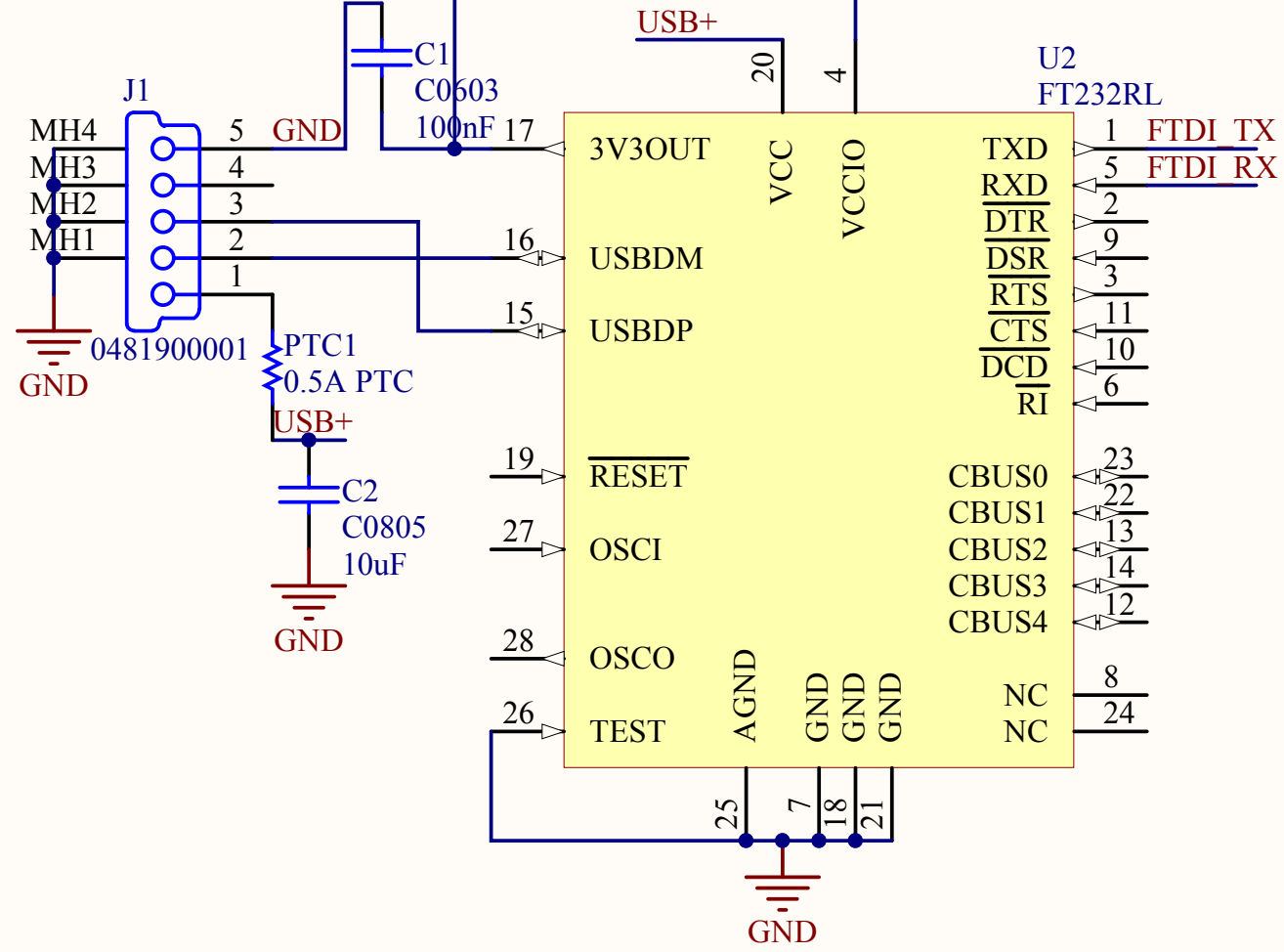
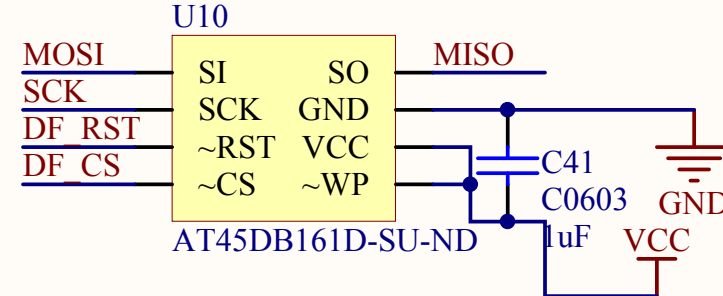


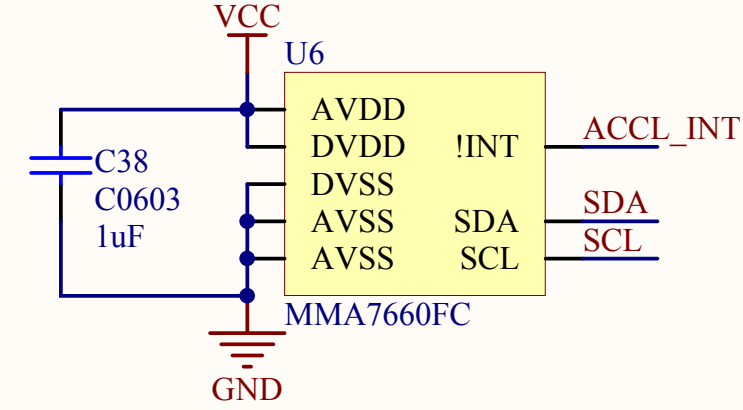
### USB-UART



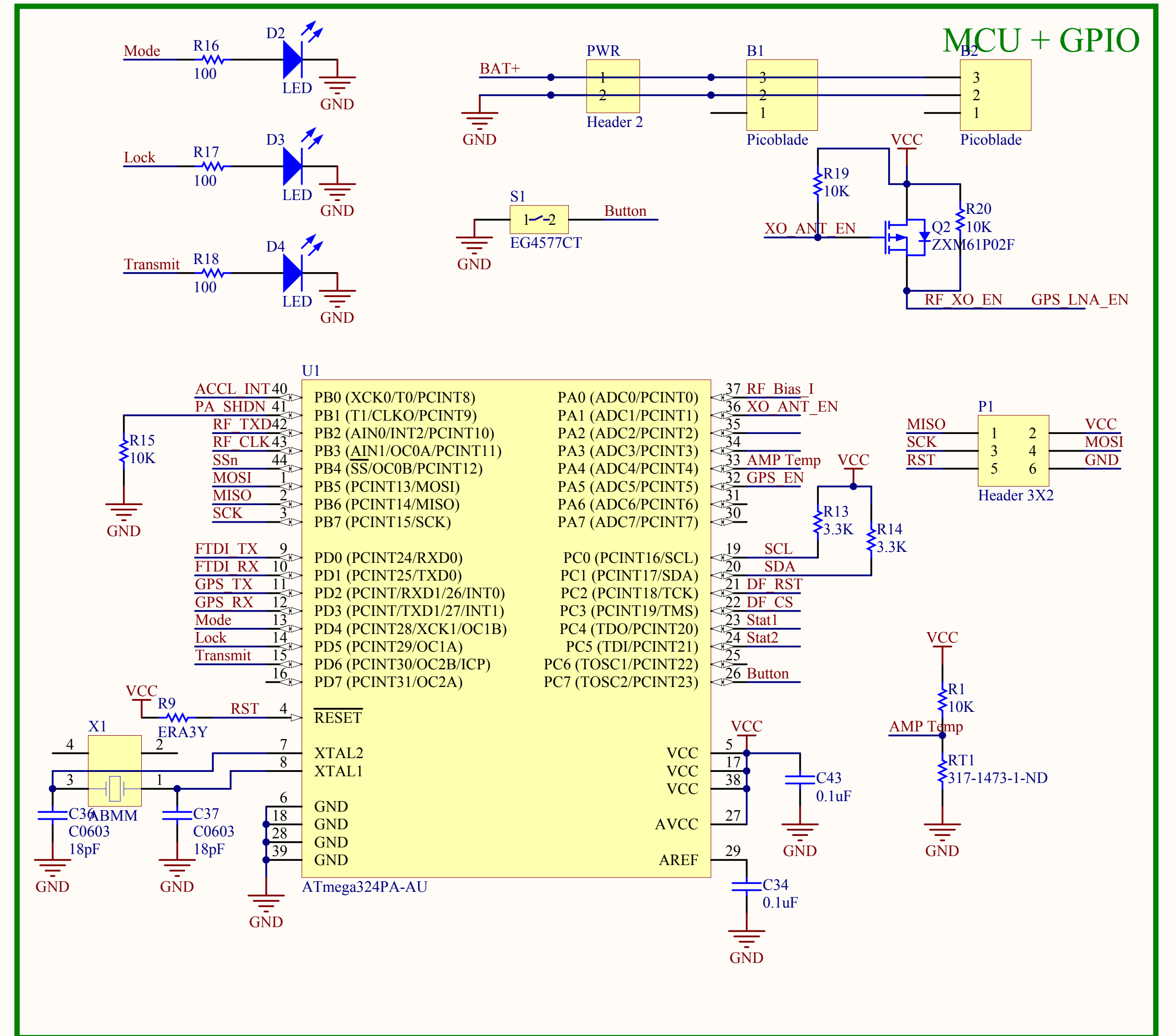
### 16Mbit Flash



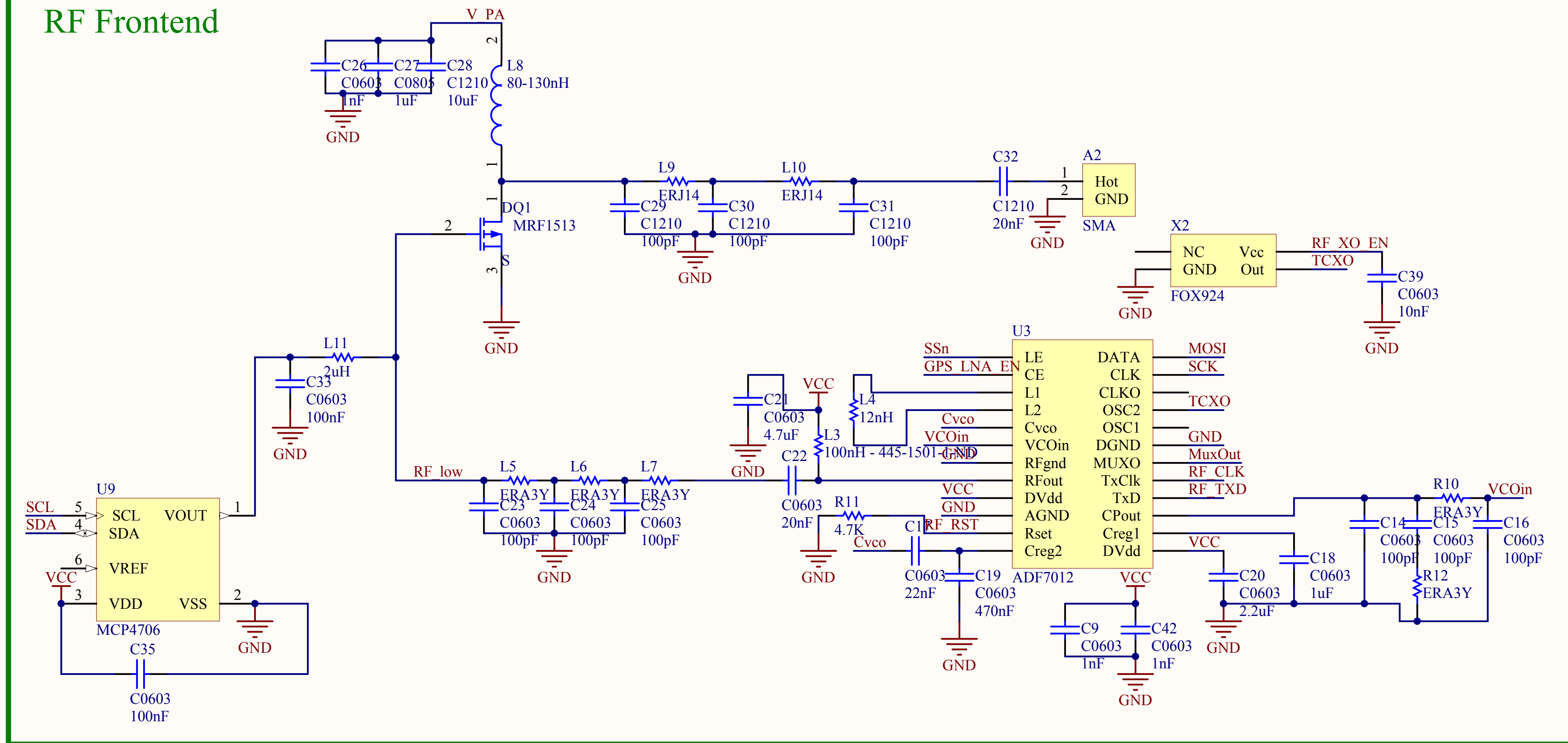
### Accelerometer



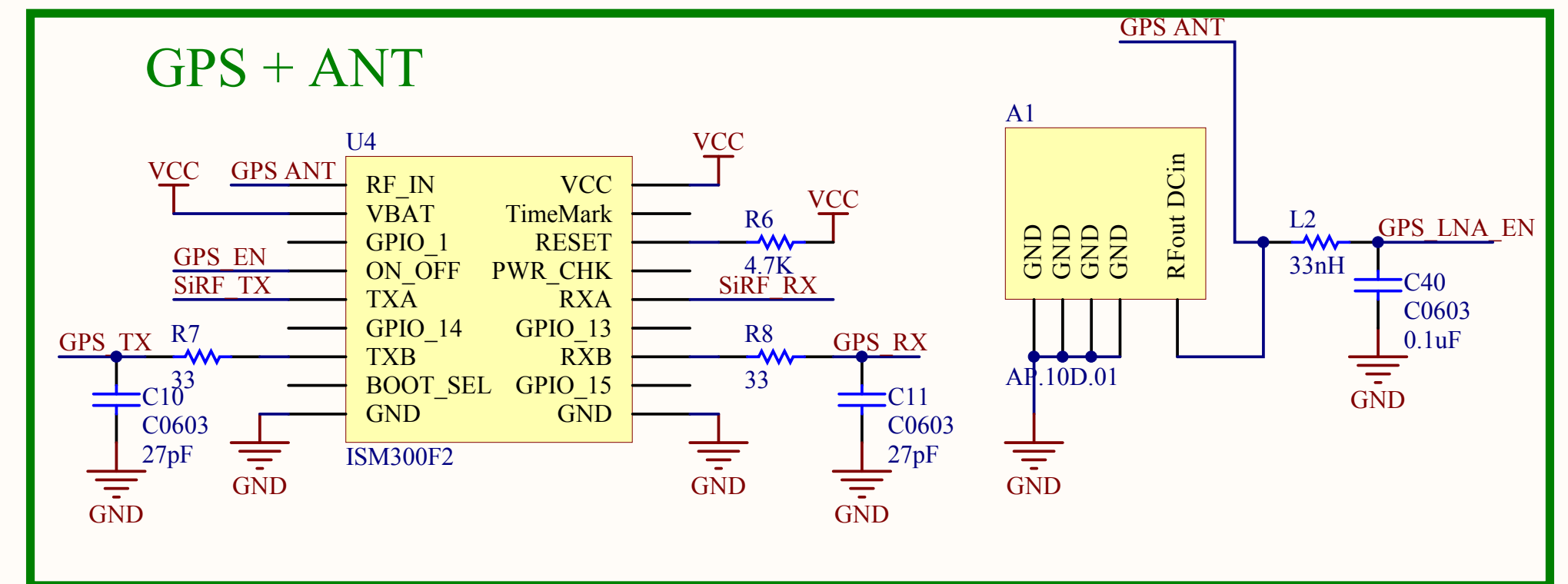
### MCU + GPIO



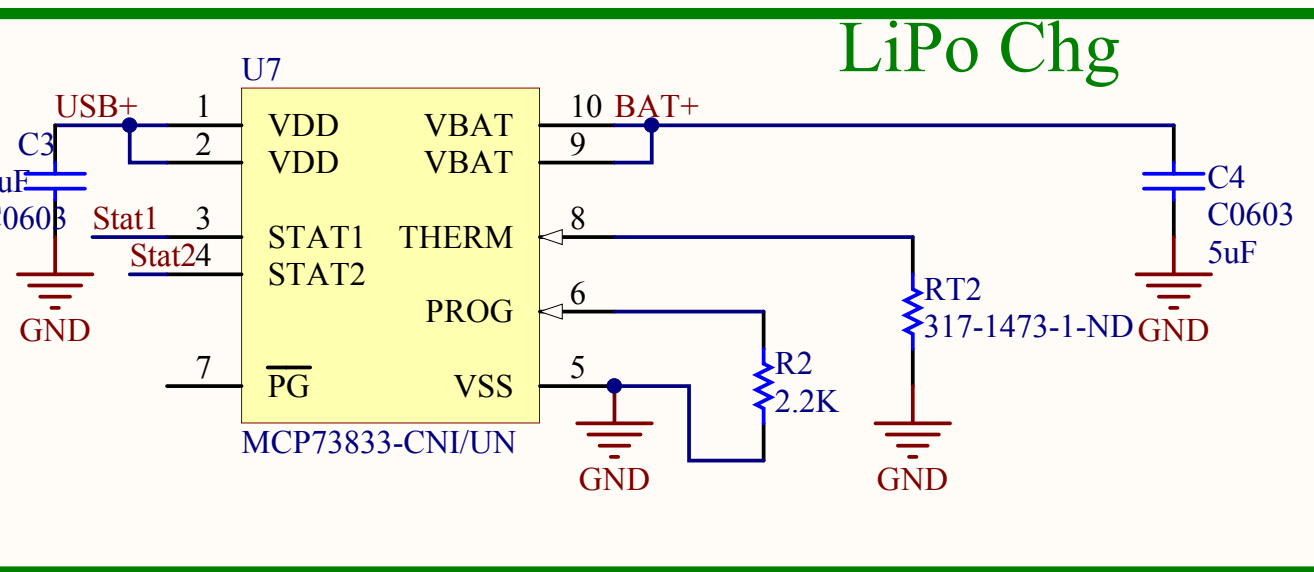
### RF Frontend



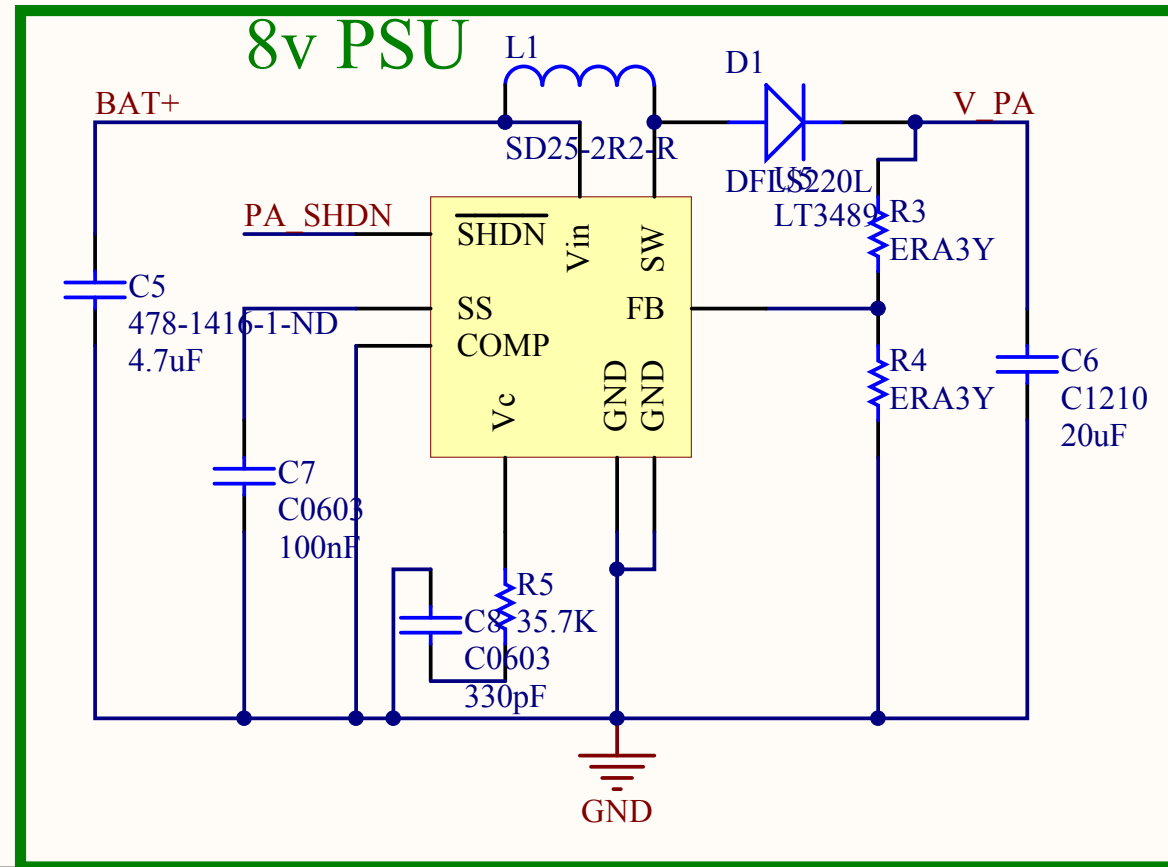
### GPS + ANT



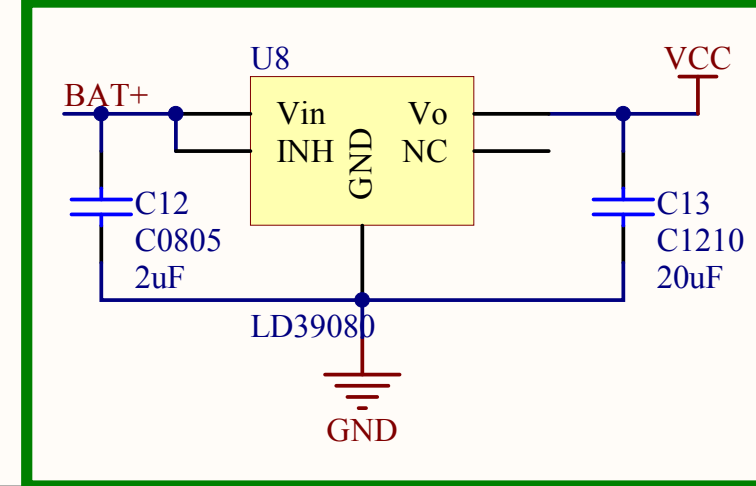
### LiPo Chg



### 8v PSU



### 3.3v PSU



Title			APRS^2		
Size	Number				Revision
Tabloid					V1
Date:	1/26/2012	Sheet of			Text
File:	C:\Users\...APRS^2.SchDoc	Drawn By:			lofl

