

CMU 18-447 INTRODUCTION TO COMPUTER ARCHITECTURE, SPRING 2015

FINAL EXAM

DATE: TUE., 5/5

INSTRUCTOR: ONUR MUTLU

TAS: RACHATA AUSAVARUNGNIRUN, KEVIN CHANG, ALBERT CHO, JEREMIE KIM, CLEMENT LOH

Name:

Problem 1 (50 Points):

Problem 2 (50 Points):

Problem 3 (50 Points):

Problem 4 (50 Points):

Problem 5 (40 Points):

Problem 6 (50 Points):

Problem 7 (60 Points):

Bonus (50 Points):

Total (400 Points):

Instructions:

1. This is a closed book exam. You are allowed to have three letter-sized cheat sheets.
2. No electronic devices may be used.
3. This exam lasts 3 hours.
4. Clearly indicate your final answer for each problem.
5. Please show your work when needed.
6. Please write your initials at the top of every page.
7. Please make sure that your answers to all questions (and all supporting work that is required) are contained in the space required.

Tips:

- **Be cognizant of time.** Do not spend too much time on one question.
- **Be concise.** You will be penalized for verbosity and unnecessarily long answers.
- **Show work when needed.** You will receive partial credit at the instructors' discretion.
- **Write legibly.** Show your final answer.

Initials: _____

1. Virtual Memory and Caches [50 points]

Assume that we have a byte-addressable processor that implements paging-based virtual memory using a **three-level** hierarchical page table organization. The virtual address is **46 bits**, and the physical memory is **4GB**. The page table base register (PTBR) stores the base address of the first-level table ($PT1$). All the page tables have the same size of **one physical page** for the first-level ($PT1$), second-level ($PT2$), and third level ($PT3$). Each $PT1/PT2$ entry stores the base address of a second/third-level table ($PT2/PT3$). In contrast to $PT1$ and $PT2$, each $PT3$ entry stores a page table entry (PTE). The PTE is 4-bytes in size.

The processor has a 64KB **virtually-indexed physically-tagged (VIPT)** L1 cache that is direct mapped with a cache line size of 128 bytes, and a 64-entry TLB.

- (a) What is the physical page size? Show all your work.

- (b) How many bits of the virtual page number are used to index the L1 cache?

- (c) What kind of aliasing problem does this processor's L1 cache have?

Initials: _____

- (d) In lecture, we learned multiple techniques to resolve this particular aliasing problem (in part (c) above) in a VIPT cache. One of them is to increase the associativity of the cache. To address this aliasing problem for this processor's VIPT cache, what is the minimum associativity that is required for the cache? Show your work.

- (e) We also learned another technique that searches all possible sets that can contain the same physical block. For this VIPT cache, how many sets need to be searched to fix the aliasing problem? Show your work.

Initials: _____

2. Register Renaming [50 points]

In this problem, we will give you the state of the Register Alias Table (RAT), Reservation Stations (RS), and Physical Register File (PRF) for a Tomasulo-like out-of-order execution engine.

The out-of-order machine in this problem has the following characteristics:

- The processor is fully pipelined with four stages: Fetch, decode, execute, and writeback.
- For all instructions, fetch takes 1 cycle, decode takes 1 cycle, and writeback takes 1 cycle.
- The processor implements ADD and MUL instructions only. Both the adder and multiplier are fully pipelined. ADD instructions take 3 cycles and MUL instructions take 4 cycles in the execute stage. Note that the adder and multiplier have separate common data buses (CDBs), which allow both the adder and multiplier to broadcast results in the same cycle.
- An instruction always allocates the first reservation station that is available (in top-to-bottom order) at the required functional unit.

Suppose the pipeline is initially empty and the machine fetches exactly 5 instructions. The diagram below shows the snapshot of the machine at a particular point in time.

Register Alias Table

ID	V	Tag
R0	1	P1
R1	1	P8
R2	1	P12
R3	1	P4
R4	0	P7
R5	1	P5
R6	0	P11
R7	1	P14

Physical Register File

ID	V	Data	ID	V	Data
P0	0	2	P8	1	88
P1	1	11	P9	0	90
P2	0	2	P10	0	91
P3	0	30	P11	1	110
P4	1	3	P12	1	33
P5	1	50	P13	1	130
P6	0	5	P14	1	17
P7	1	70	P15	1	159

ADD Reservation Station

ID	V	Tag	V	Tag	Dest. Tag
A	1	P12	1	P7	P15
B	1	P5	0	P13	P11

ADD CDB

MUL Reservation Station

ID	V	Tag	V	Tag	Dest. Tag
X	0	-	0	-	-
Y	1	P12	1	P4	P7
Z	1	P7	1	P7	P13

MUL CDB

Initials: _____

- (a) Your first task is to use only the supplied information to draw the data flow graph for the five instructions which have been fetched. Label nodes with the operation (+ or *) being performed and edges with the architectural register alias numbers (e.g., R0).

- (b) Now, use the data flow graph to fill in the table below with the five instructions being executed on the processor in program order. The source registers can be specified in either order. Give instructions in the following format: “opcode, source1, source2, *destination*.”

OP	Src 1	Src 2	Dest
	R2		

- (c) Now, show the full pipeline timing diagram below for the sequence of five instructions that you determined above, from the fetch of the first instruction to the writeback of the last instruction. Assume that the machine stops fetching instructions after the fifth instruction.

As we saw in class, use F for fetch, D for decode, En to signify the nth cycle of execution for an instruction, and W to signify writeback. You may or may not need all columns shown. Finally, identify the cycle after which the snapshot of the microarchitecture was taken. Shade the corresponding cycle in the last row of the table.

Cycle:	1	2	3	4	5	6	7	8	9	10	11	12	13	14	15	16	17	18	19
Instruction 1																			
Instruction 2																			
Instruction 3																			
Instruction 4																			
Instruction 5																			
Snapshot cycle																			

3. Branch Prediction [50 points]

Assume the following piece of code that iterates through two large arrays, j and k, each populated with completely (i.e., truly) random positive integers. The code has two branches (labeled B1 and B2). When we say that a branch is *taken*, we mean that the code *inside* the curly brackets is executed. Assume the code is run to completion without any errors (there are no exceptions). For the following questions, assume that this is the only block of code that will ever be run, and the loop-condition branch (B1) is resolved first in the iteration before the if-condition branch (B2).

```

for (int i = 0; i < 1000000; i++) {      /* B1 */
                                        /* TAKEN PATH for B1 */
    if (i % 3 == 0) {                    /* B2 */
        j[i] = k[i] - i;                 /* TAKEN PATH for B2 */
    }
}

```

You are running the above code on a machine with a two-bit global history register (GHR) shared by all branches, which starts with *Not Taken, Not Taken* (2'b00). Each pattern history table entry (PHTE) contains a 2-bit saturating counter.

The saturating counter values are as follows:

- 2'b00 - Strongly Not Taken
- 2'b01 - Weakly Not Taken
- 2'b10 - Weakly Taken
- 2'b11 - Strongly Taken

- (a) You observe that the branch predictor mispredicts 100% of the time in the first 5 iterations of the loop. Is this possible? Fill in the table below with all possible initial values each entry can take. Leave the table blank if this is not possible.

PHT

PHT Entry	Value
TT	
TN	
NT	
NN	

Show your work here:

Initials: _____

(b) *Please read the entire question first before answering any part.*

Rachata believes that the misprediction rate can become 0% during the steady state.

Is this possible?

Circle one: YES NO

If it is possible (YES), fill in one possible set of initial PHTE values that can lead to a 0% misprediction rate.

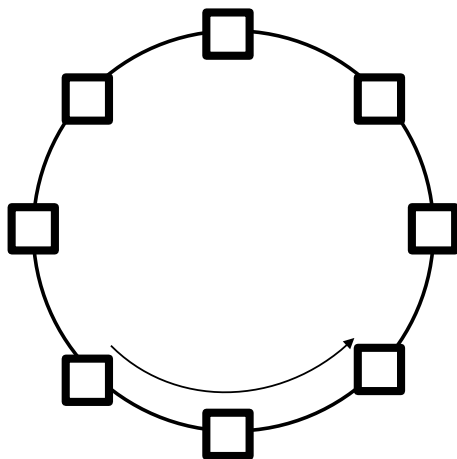
PHT	
PHT Entry	Value
TT	
TN	
NT	
NN	

If it is not possible (NO), what is the lowest misprediction rate that can be achieved during the steady state?

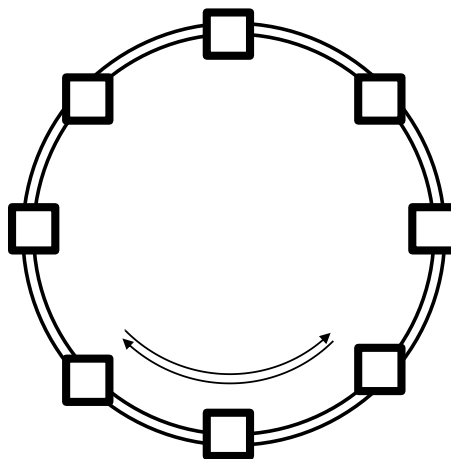
Show all your work here below:

4. Interconnects [50 points]

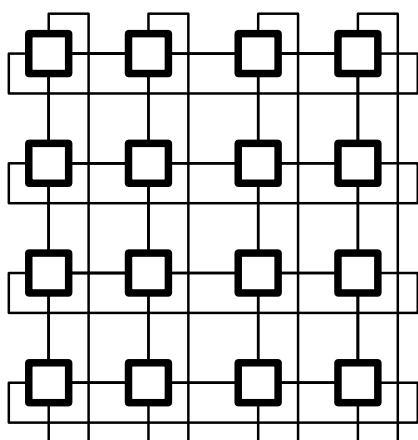
The following diagrams show four different topologies. In this question, assume that a packet can move from one node to the adjacent node in 1 cycle. Also, assume that the routing mechanism uses the shortest path from the source to the destination.



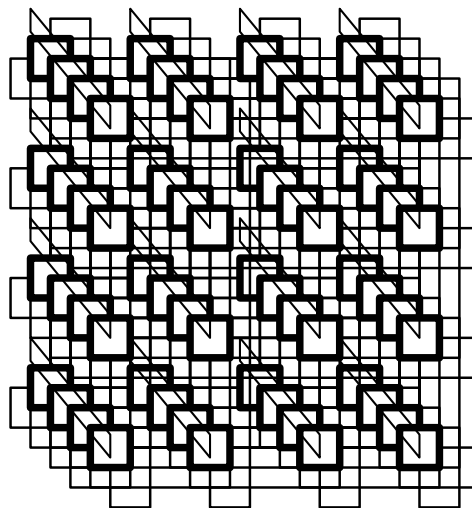
a) Uni-Directional Ring



b) Bi-Directional Ring



c) 2-D Torus



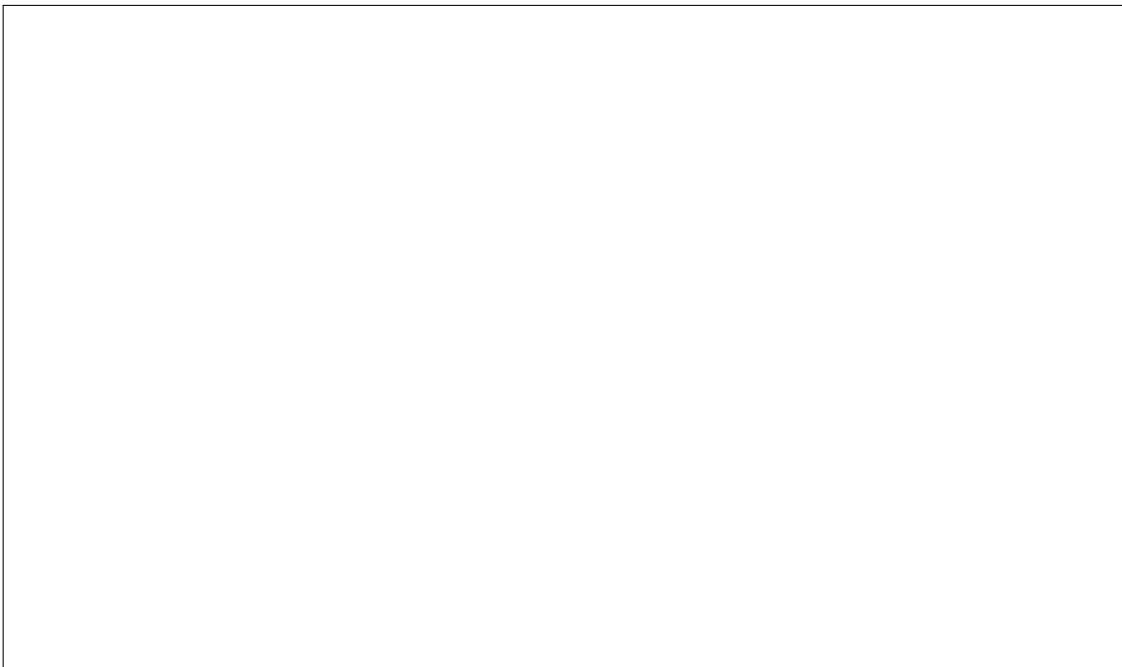
d) 3-D Torus

Initials: _____

- (a) What is the average latency of a uni-directional ring of size n , assuming a *uniform traffic pattern* where every node has an equal probability of sending a packet to every other node *without traffic contention*? No traffic contention means that a packet can always move toward its destination every cycle on its shortest path. For this and the following questions, assume that n is an **odd number**. Show your work.



- (b) What is the average latency of a bi-directional ring of size n , assuming a uniform traffic pattern without traffic contention? Show your work.



Initials: _____

- (c) What is the average latency of a $n * n$ torus, assuming a uniform traffic pattern without traffic contention? Show your work. (*Hint: each ring in a torus is a bi-directional ring.*)

- (d) What is the average latency of a $n * n * n$ 3-D torus, assuming a uniform traffic pattern without traffic contention? Show your work.

Initials: _____

5. Memory Consistency [40 points]

There are 2 threads with 4 instructions. The two threads are executed concurrently on a dual-core processor. Assume that registers in both cores are initialized with the values shown in the table below. The instructions of each thread are also shown below.

R1	1
R2	2
R3	3
R4	4

Thread A	Thread B
ST R1, 0x1000	ST R3, 0x1000
LD R5, 0x1000	LD R5, 0x1000
ADD R5, R5, R2	ADD R5, R5, R4
ST R5, 0x1000	ST R5, 0x1000

- (a) Assume the dual-core processor implements sequential consistency. List **all** the possible values that can be stored in address 0x1000, assuming both threads run to completion.

- (b) How many different memory instruction interleavings of the 2 threads **will guarantee** a value of 0x9 in address 0x1000, assuming both threads run to completion? Show your work.

Initials: _____

- (c) Assume now that the dual-core processor does **not** support sequential consistency. List **all the possible values** that can be stored in address 0x1000, assuming both threads run to completion. Explain your answer briefly.



6. Memory Interference [50 points]

During the lectures, we introduced a variety of ways to tackle memory interference. In this problem, we will look at the Blacklisting Memory Scheduler (BLISS) to reduce unfairness. There are two key aspects of BLISS that you need to know.

- When the memory controller services η consecutive requests from a particular application, this application is blacklisted. We name this non-negative integer η the **Blacklisting Threshold**.
- The blacklist is cleared periodically every **10000** cycles starting at $t=0$.

To reduce unfairness, memory requests in BLISS are prioritized in the following order:

- Non-blacklisted applications' requests
- Row-buffer hit requests
- Older requests

The memory system for this problem consists of 2 channels with 2 banks each. Tables 1 and 2 show the memory request stream in the same bank for both applications at varying times. The memory requests are labeled with numbers that represent the row position of the data within the accessed bank. Assume the following for all questions:

- A row buffer hit takes **50 cycles**.
- A row buffer miss/conflict takes **200 cycles**.
- All the row buffers are closed at time $t=0$.

Application A (Channel 0, Bank 0)							
Application B (Channel 0, Bank 0)	Row 1	Row 1	Row 1	Row 1	Row 1	Row 1	Row 1

Table 1: Memory requests of the two applications at $t=0$

Application A (Channel 0, Bank 0)	Row 3	Row 7	Row 2	Row 0	Row 5		
Application B (Channel 0, Bank 0)	Row 1	Row 1	Row 1	Row 1	Row 1	Row 1	Row 1

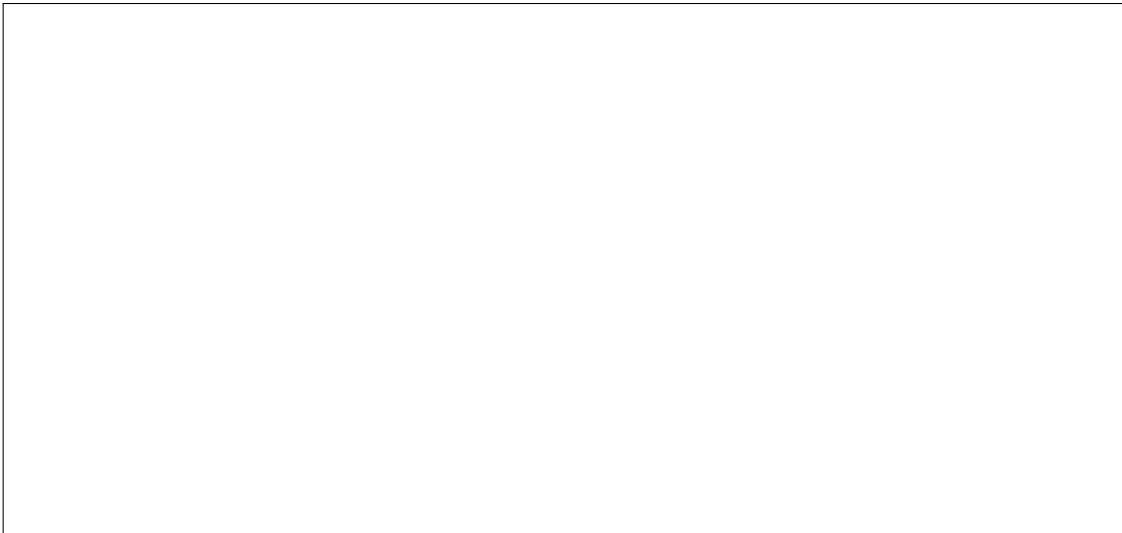
Table 2: Memory requests of the two applications at $t=10$

Initials: _____

- (a) Compute the slowdown of each application using the FR-FCFS scheduling policy after both threads ran to completion. We define $slowdown = \frac{mem_latency_with_others}{mem_latency_alone}$. Show your work.



- (b) For what value(s) of η (the Blacklisting Threshold) will the slowdowns for both applications be equivalent to those obtained with FR-FCFS?



Initials: _____

- (c) For what value(s) of η (the Blacklisting Threshold) will the slowdown for A be <1.4 ?

- (d) For what value(s) of η (the Blacklisting Threshold) will B experience maximum slowdown it can experience with the Blacklisting Scheduler?

- (e) What is a simple mechanism (that we discussed in lectures) that will make the slowdowns of both A and B 1.00?

Initials: _____

7. Memory Latency Tolerance [60 points]

Assume an in-order processor that employs runahead execution, with the following specifications:

- The processor enters Runahead mode when there is a cache miss.
- There is a 64KB cache. The cache block size is 64 Bytes.
- The cache is 2-way set associative and uses the LRU replacement policy.
- A cache hit is serviced instantaneously.
- A cache miss is serviced after X cycles.
- The cache replacement policy chooses to evict a cache block serviced by Runahead requests over non-runahead requests. The processor does not evict the request that triggers Runahead mode until after Runahead mode is over.
- The victim for cache eviction is picked at the same time a cache miss occurs.
- Whenever there is a cache miss, the processor always generates a new cache request and enters Runahead mode.
- There is no penalty for entering and leaving Runahead mode.
- ALU instructions and Branch instructions take one cycle each and never stall the pipeline.

Consider the following program. Each element of array A is one byte.

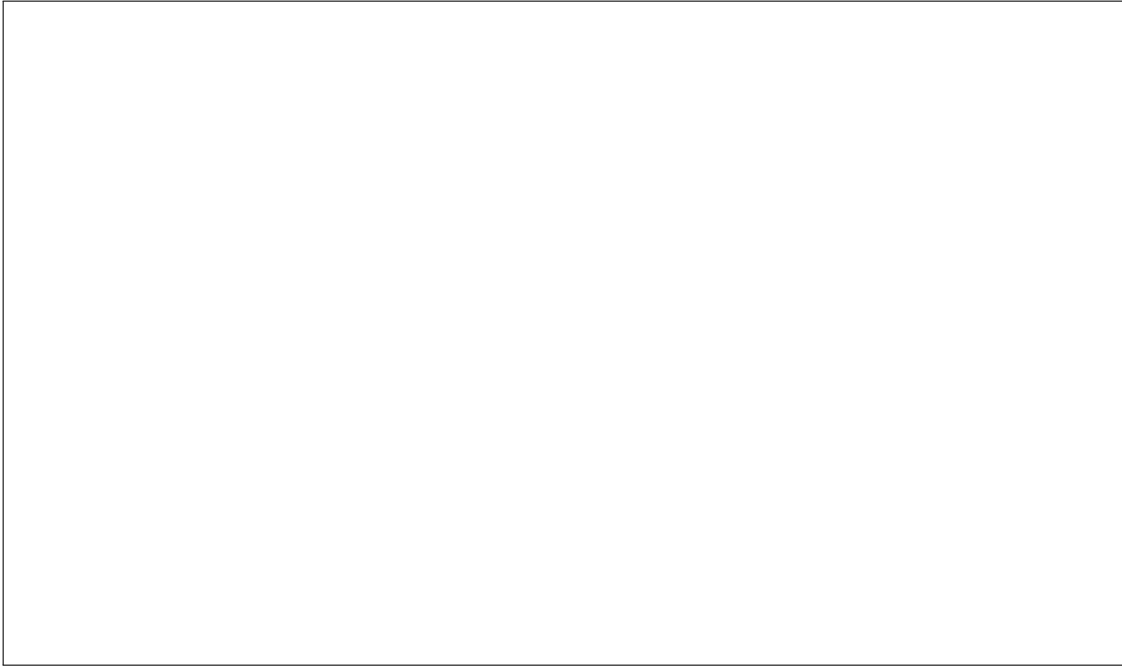
```
for(int i=0;i<100;i++) \\ 2 ALU instructions and 1 branch instruction
{
  int m = A[i*32*1024]+1; \\ 1 memory instruction followed by 1 ALU instruction
  26 ALU instructions
}
```

- (a) After running this program, you find that there are 50 cache misses. What are all the possible values of X ?

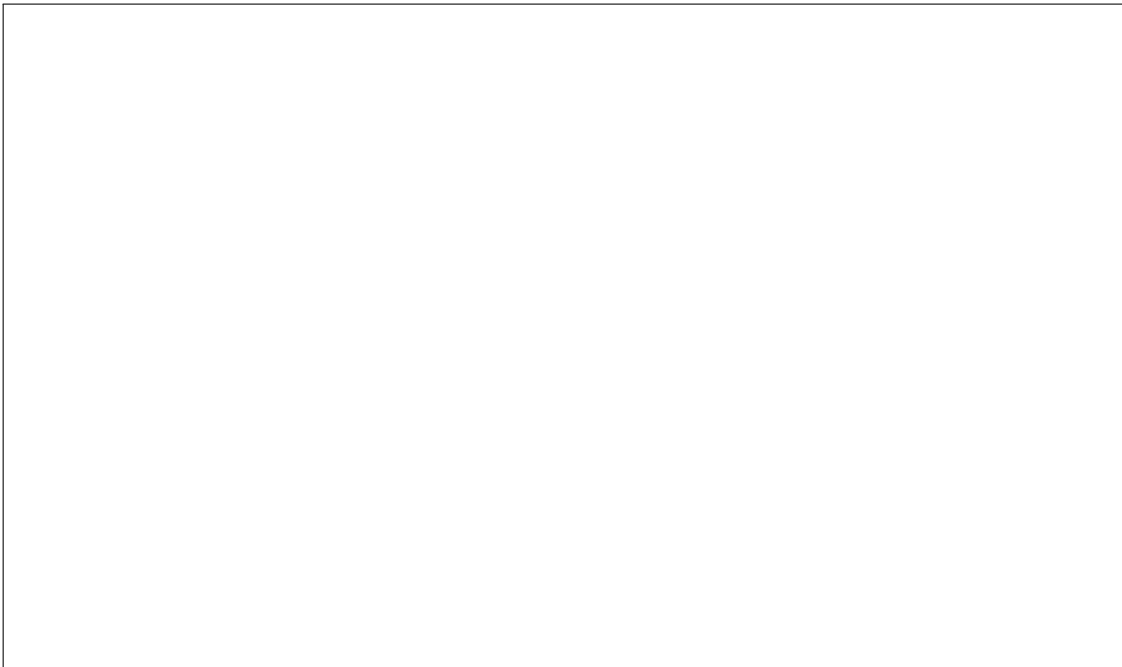
- (b) Is it possible that every cache access in the program misses in the cache? If so, what is the value of X that will make all cache accesses in the program miss in the cache? If not, why? Show your work.

Initials:

- (c) What is the minimum number of cache misses that this program can achieve? Show your work.



- (d) Assume that each ALU instruction consumes $1\mu\text{J}$, a cache hit consumes $10\mu\text{J}$, and a cache miss consumes $Y\ \mu\text{J}$. Does there exist a combination of X and Y such that the dynamic energy consumption of Runahead execution is better than a processor without Runahead execution? Show your work.



Initials: _____

- (e) Assume the energy parameters in part d. What is the dynamic energy consumption of the processor with Runahead execution in terms of X and Y when X generates the **minimum** number of cache misses? Show your work.



- (f) Assume the energy parameters in part d. What is the dynamic energy consumption of the processor with Runahead execution in terms of X and Y when X generates the **maximum** number of cache misses? Show your work.



Initials:

8. [Bonus] Mystery Instruction Strikes Back [50 points]

That pesky engineer implemented yet another mystery instruction on the LC-3b. It is your job to determine what the instruction does. The mystery instruction is encoded as:

15	14	13	12	11	10	9	8	7	6	5	4	3	2	1	0
1010				DR			SR1			0	0	0	0	0	0

The modifications we make to the LC-3b datapath and the microsequencer are highlighted in the attached figures (see the next three pages after the question). We also provide the original LC-3b state diagram, in case you need it.

In this instruction, we specify SR2OUT to always output REG[SR1], and SR2MUX to output value from the REGFILE. Each register has a width of 16 bits.

The additional control signals are:

GateTEMP1/1: NO, YES

GateTEMP2/1: NO, YES

LD.TEMP1/1: NO, LOAD

LD.TEMP2/1: NO, LOAD

ALUK/3: OR1 ($A \mid 0x1$), XOR ($A \wedge B$), LSHF1 ($A \ll 1$), PASSA, PASS0 (Pass value 0), PASS16 (Pass value 16)

Reg_IN_MUX/2: BUS (passes value from BUS), EQ0 (passes the value from the $==0?$ comparator). BUS is asserted if this signal is not specified.

COND/4:

COND₀₀₀₀ ;Unconditional

COND₀₀₀₁ ;Memory Ready

COND₀₀₁₀ ;Branch

COND₀₀₁₁ ;Addressing mode

COND₀₁₀₀ ;Mystery 1

COND₁₀₀₀ ;Mystery 2 (which is set based on the 0th bit of TEMP1)

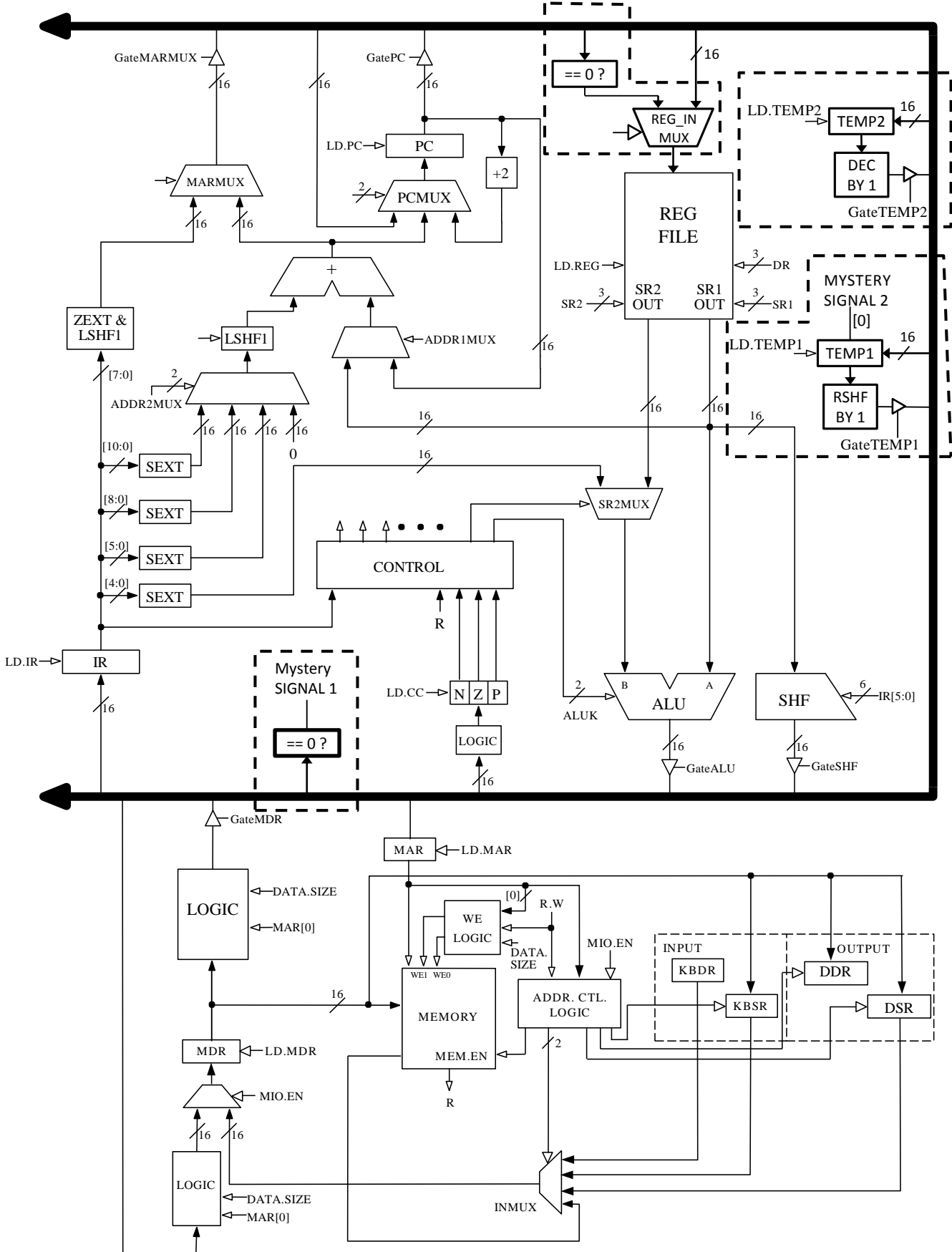
The microcode for the instruction is given in the table on the next page.

Initials: _____

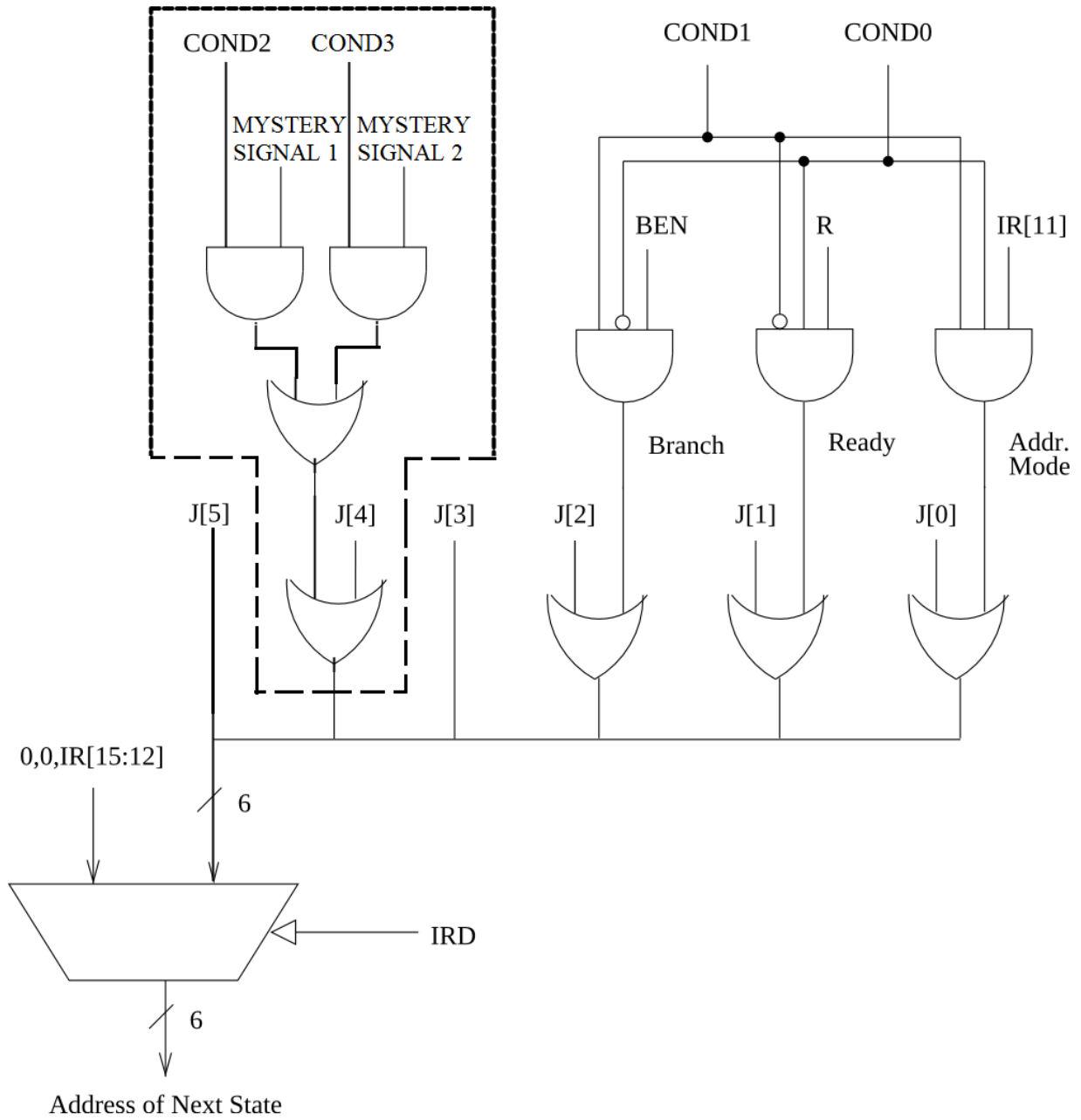
State	Cond	J	Asserted Signals
001010 (10)	COND ₀₀₀₀	001011	ALUK = PASS0, GateALU, LD.REG, DRMUX = DR (IR[11:9])
001011 (11)	COND ₀₀₀₀	101000	ALUK = PASSA, GateALU, LD.TEMP1, SR1MUX = SR1 (IR[8:6])
101000 (40)	COND ₀₀₀₀	100101	ALUK = PASS16, GateALU, LD.TEMP2
100101 (37)	COND ₁₀₀₀	101101	ALUK = LSHF1, GateALU, LD.REG, SR1MUX = DR, DRMUX = DR (IR[11:9])
111101 (61)	COND ₀₀₀₀	101101	ALUK = OR1, GateALU, LD.REG, SR1MUX = DR, DRMUX = DR (IR[11:9])
101101 (45)	COND ₀₀₀₀	111111	GateTEMP1, LD.TEMP1
111111 (63)	COND ₀₁₀₀	100101	GateTEMP2, LD.TEMP2
110101 (53)	COND ₀₀₀₀	010010	GateALU, ALUK = XOR, SR1MUX = DR (IR[11:9]) LD.REG, DRMUX = DR (IR[11:9]), Reg_IN_MUX = EQ0

Describe what this instruction does.

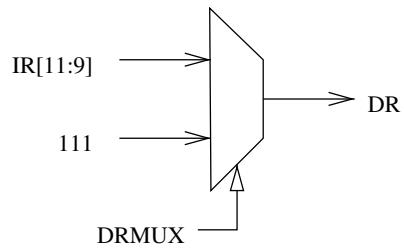
Initials:



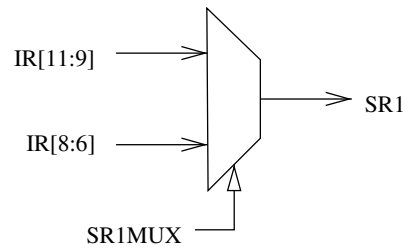
Initials: _____



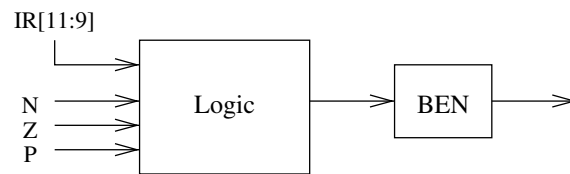
Initials: _____



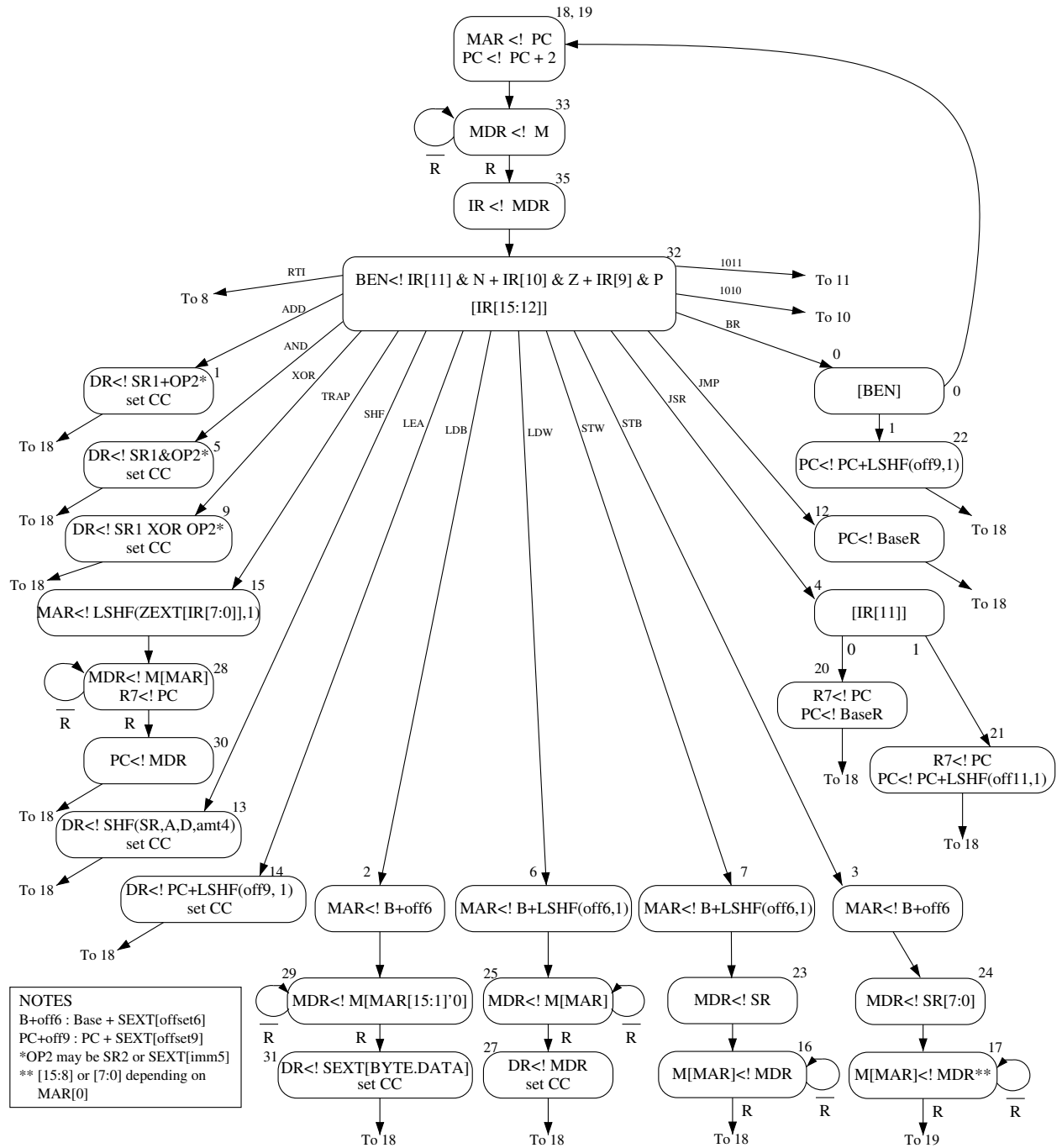
(a)



(b)



(c)



Initials:

Scratchpad

Initials:

Scratchpad