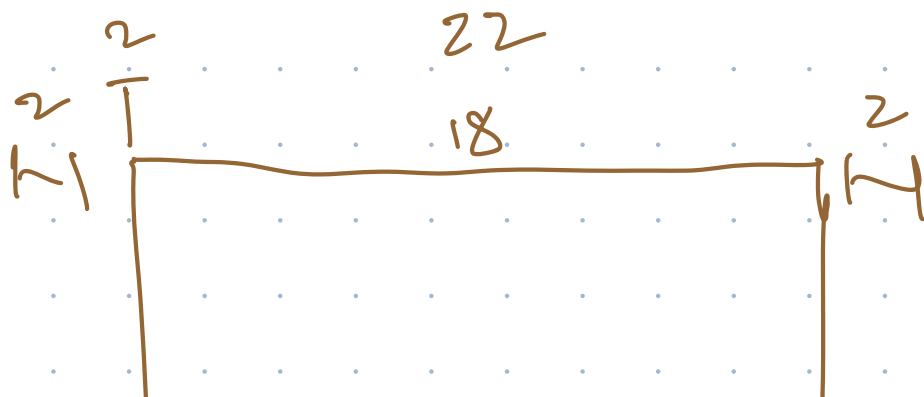
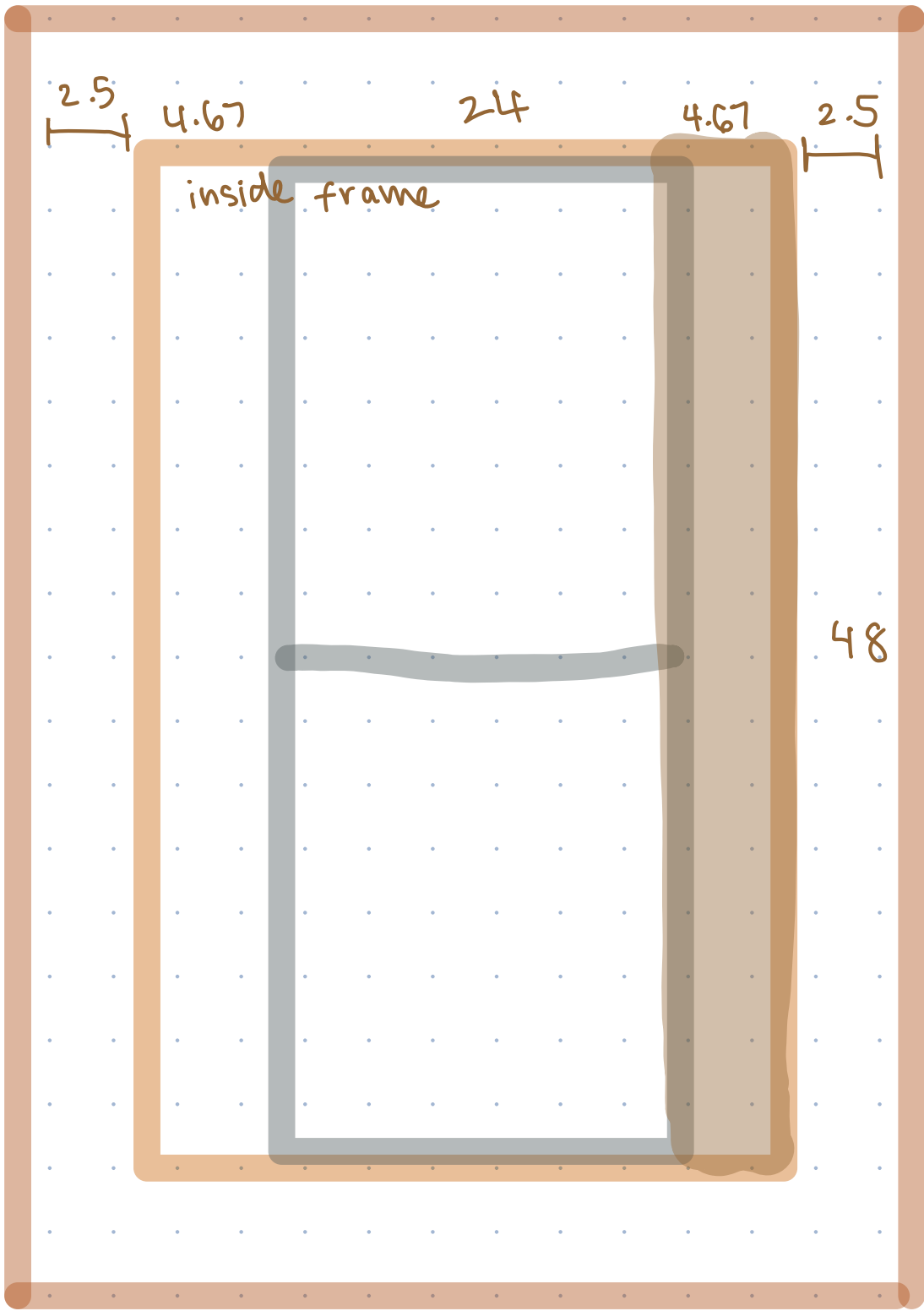
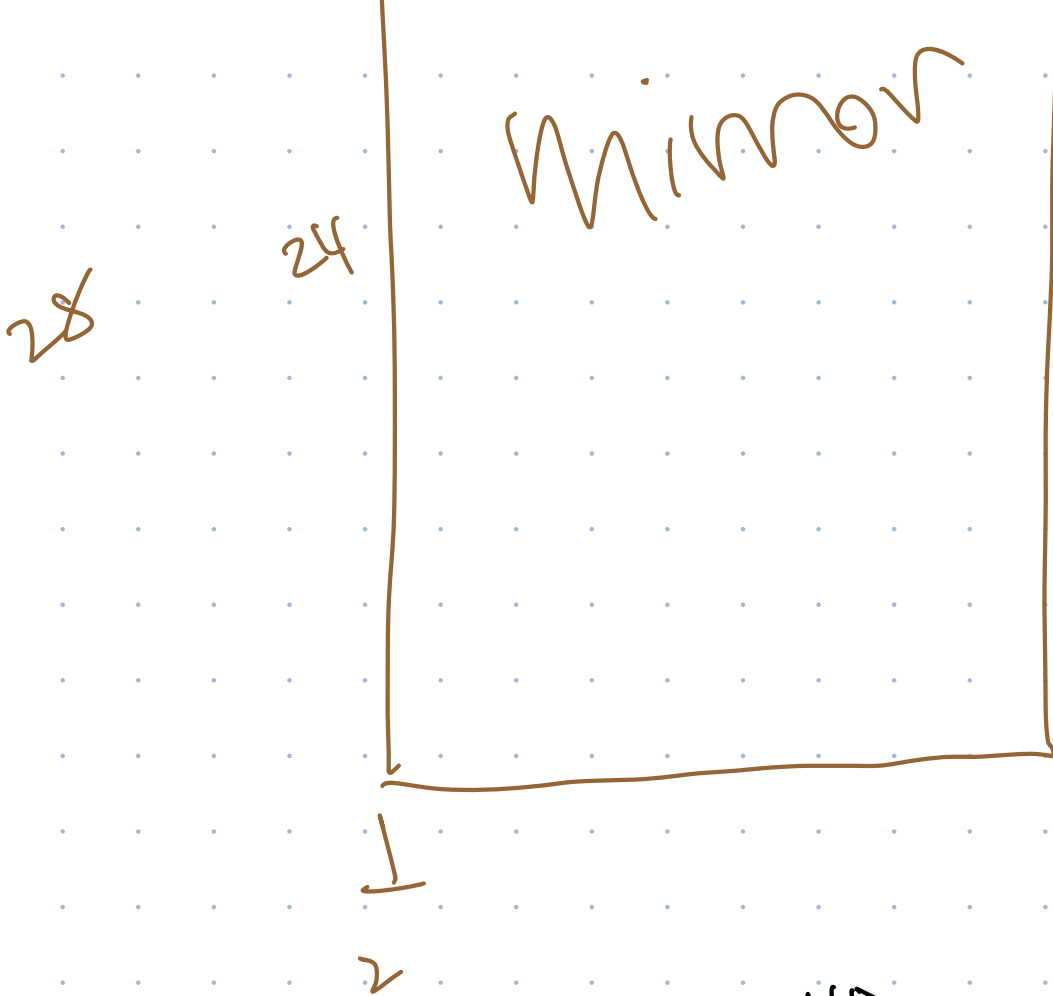


18 x 24 in mirror

29 in



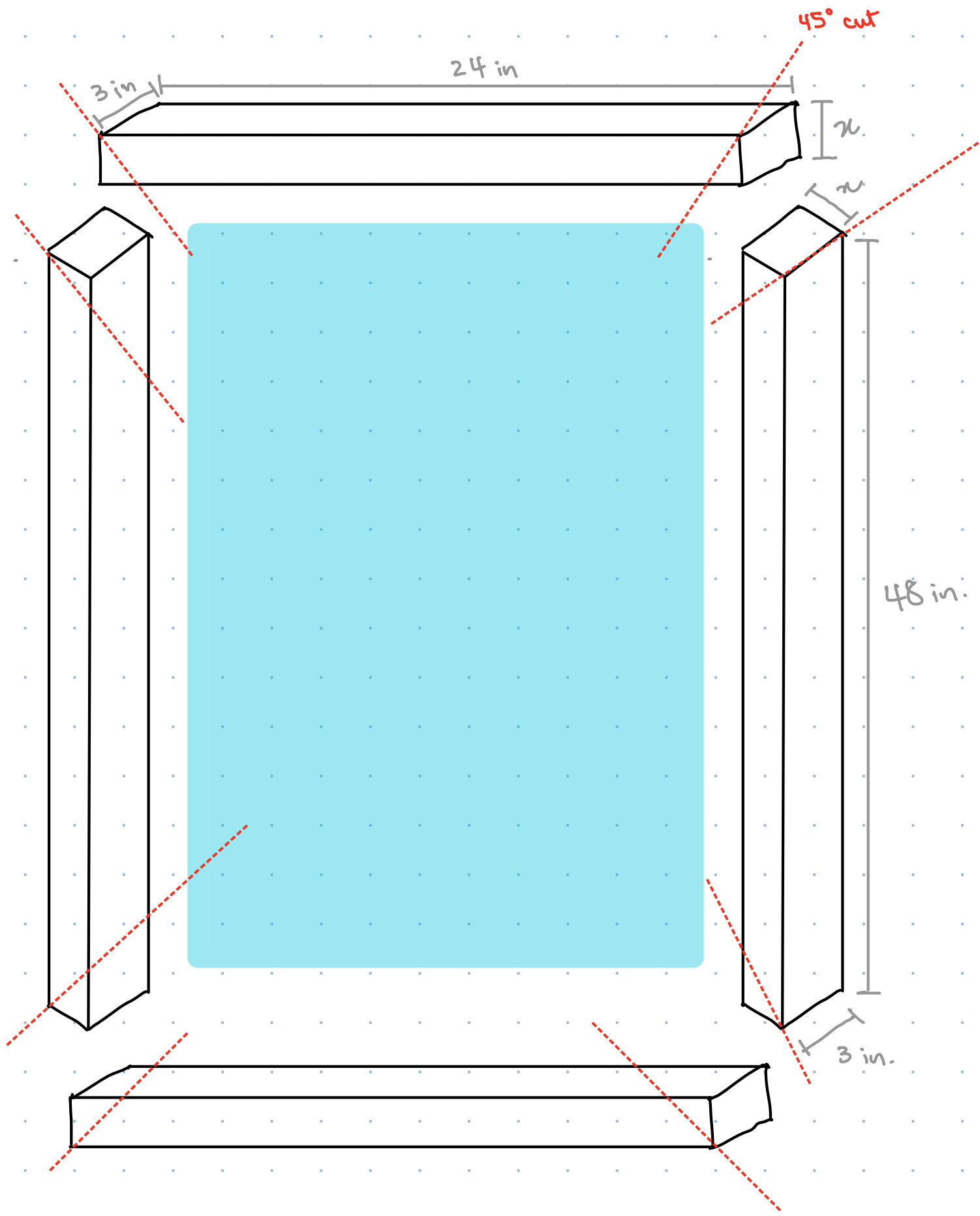


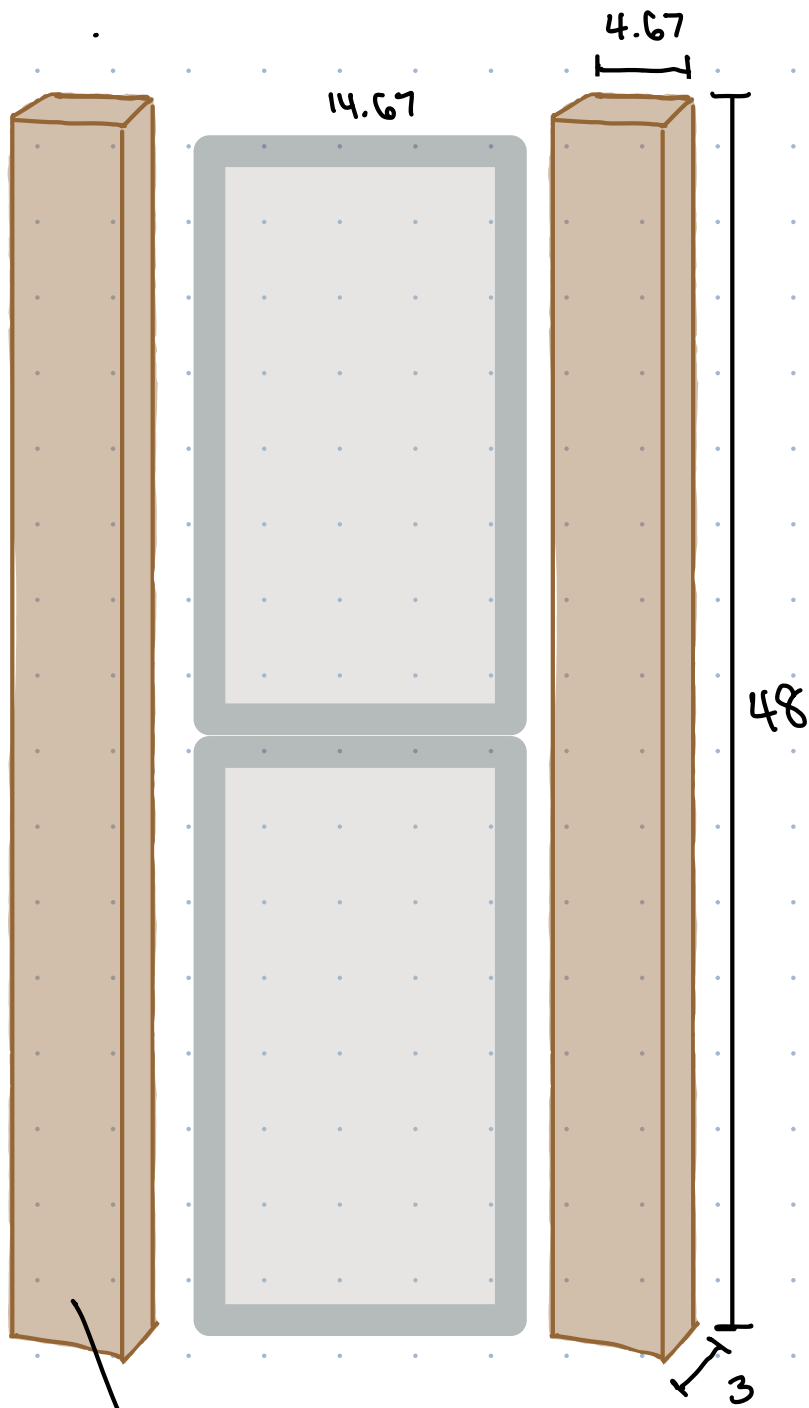
HD makes the first 10-15 cuts free if you buy the wood there

materials:

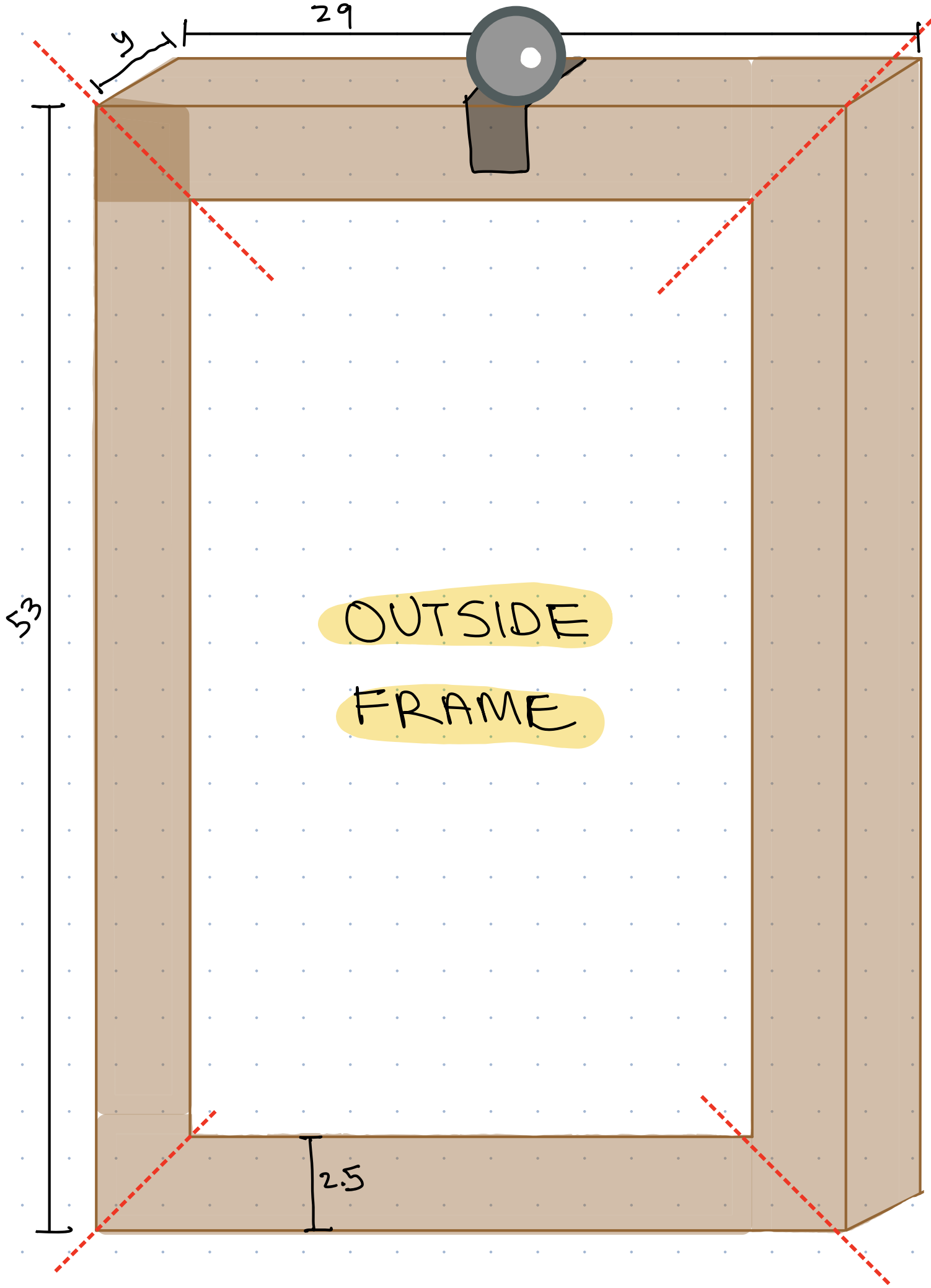
- ⇒ plywood (2.5" thickness, 45° cuts)
- ⇒ wood glue
- ⇒ square
- ⇒ wood support nails
- ⇒ maybe mirror support brackets - might not need?

INSIDE FRAME : frame that encompasses the mirror





purpose: to hold monitors in place



29

y

53

OUTSIDE

FRAME

2.5

Procedure:

- 1.) Get wood cut w/ dimensions
- 2.) Get materials
 - wood glue
 - nails
 - black spraypaint
 - mirror brackets?
 - squarer
- 3.) Start by assembling inner frame
 - glue and nail at each corner
- 4.) Assemble outer frame in same fashion
- 5.) Order is as follows:

wire connections → laptop

cardboard w/hole

wood | monitor 1 | monitor 2 | wood

mirror

inner frame

outer frame

