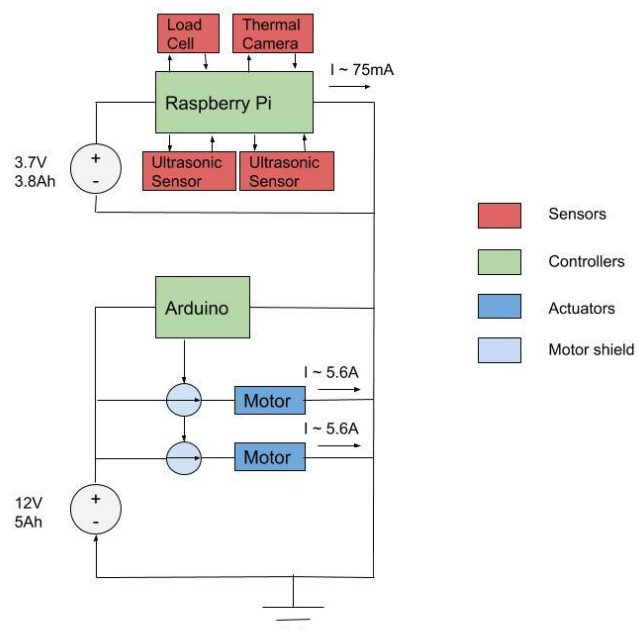


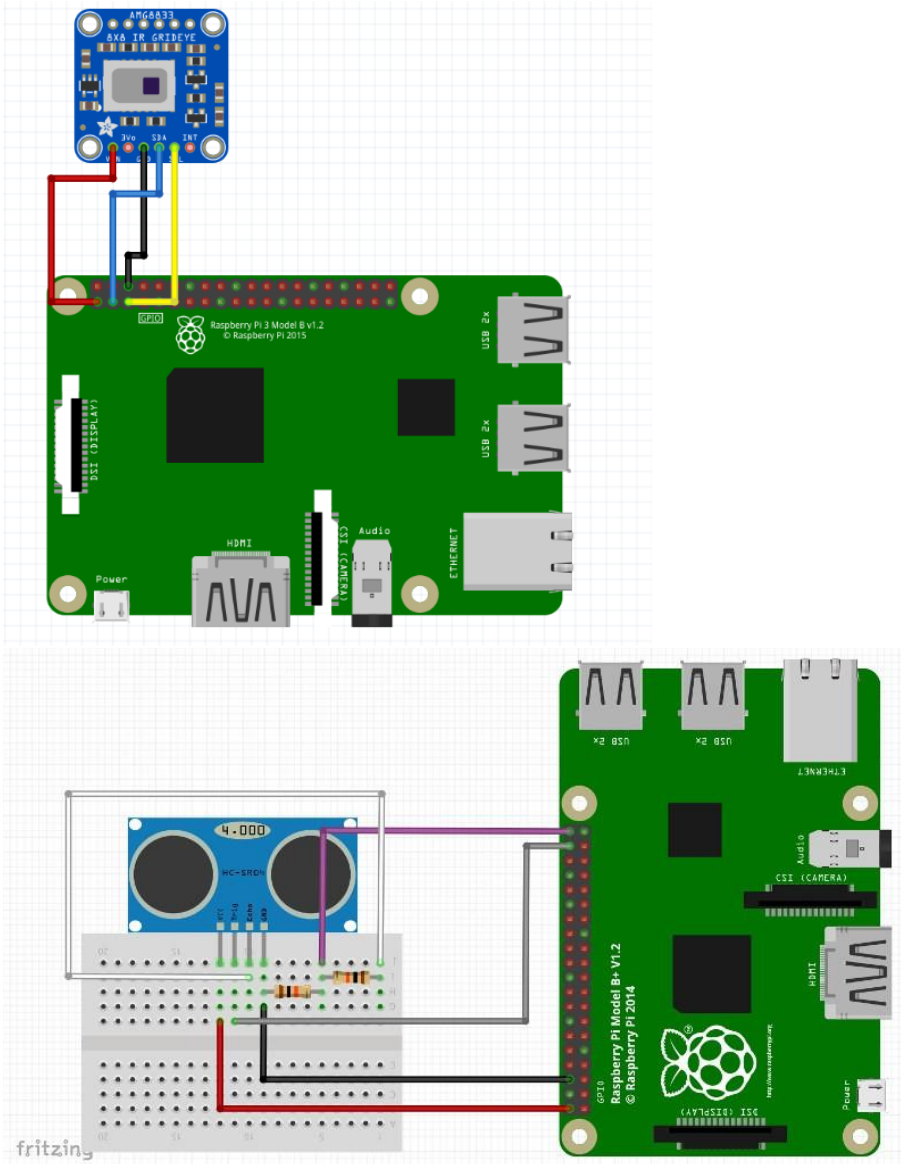
Matteo Longo

Team D1

What did you personally accomplish this week on the project?

- Soldered lots more pins
 - Completed attachment of pins to motor shield and more
- Configured motor shield and Arduino to be hooked up with or without laptop connection
- Helped to configure thermal camera, wired devices together through breadboard
- Readjusted circuit design for better batteries





Schedule:

- We haven't completely finished setting up all the sensors, since there was delay getting code onto the boards to properly test. It shouldn't take too much time from next week, but the load sensor can be pushed back a bit.

What deliverables do you hope to complete in the next week?

- Finish wiring devices and have them fully configured
- Test components